

User Guide

Push-Dim and RF Single Color LED Controller

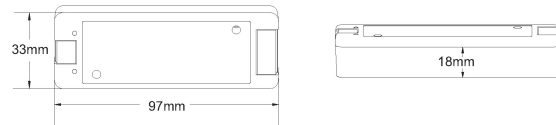
Summary

- Mini-style RF dimmer, one channel constant voltage output.
- RF dimmer match with a variety of dimming remote, realize functions of switch and dimming.
- Smooth dimming and switch without any flickering.
- Adopt 2.4GHz wireless technology, remote distance up to 30m.
- One RF dimmer can accept up to 10 remote control.
- Auto-transmitting function, one receiver can transmit the signal from the remote to another receiver within 15m, so the remote control distance can be beyond 100m.
- Can be WiFi controlled by APP installed on IOS or Android mobile devices while working with WiFi-Relay controller.
- Can connect with external push switch to achieve on/off and dimming function.
- Work with power repeater to expand output unlimitedly.

Technical parameter

- Input voltage: 5-36VDC
- Output power: 5V, Max 40W 12V, Max 96W 24V, Max 192W 36V, Max 288W
- Output current: 1CH, 8A/CH
- Size: L97*W33*H18mm

Dimension



Match guide

Use Match key

1. Match: Short press match key, within 5s, press on/off key or zone key of the remote.
2. Delete: Long press match key for 5s, delete all matched remote.
3. Multiple zone remote only use zone key to match each zone receiver.

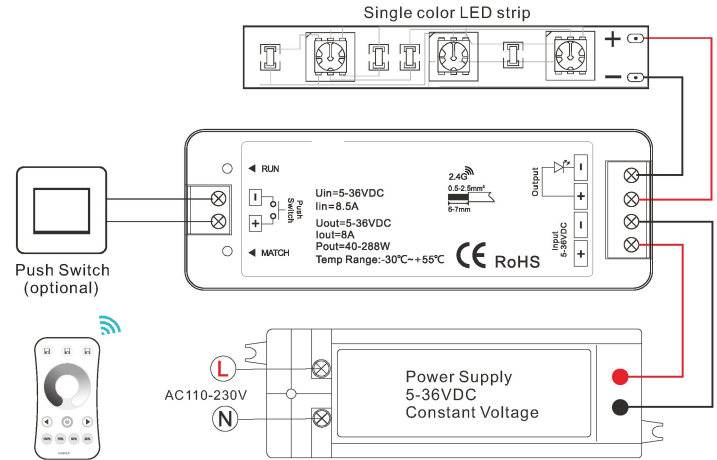
Use Power-up

1. Match: Switch off the power, then switch on power again, short press on/off key or zone key 3 times on the remote quickly within 5s after power on, the link is done once the light blinks 3 times.
2. Delete: Switch off the power, then switch on power again, short press on/off key or zone key 5 times on the remote quickly within 5s after power on, the unlink is done once the light blinks 5 times.
3. Multiple zone remote only use zone key to match each zone receiver.

External push switch(optional)

1. Short press: Turn on/off light.
2. Long press(1-5s): When light is on, increase or decrease brightness continuously.
3. Long press(10s): When multiple controllers share a on/off key, achieve simultaneous adjustment.

Wiring diagram



LED power supply voltage and power select:

- 5V lamp, Input 5V power supply, can load 0~40W,
- 12V lamp, Input 12V power supply, can load 0~96W,
- 24V lamp, Input 24V power supply, can load 0~192W,
- 36V lamp, Input 36V power supply, can load 0~288W,
The power supply power must larger than load power 20%.

Malfunctions analysis & troubleshooting

Malfunctions	Causes	Troubleshooting
No light	1. No power. 2. Wrong connection or insecure.	1. Check the power. 2. Check the connection.
Uneven intensity between front and rear, with voltage drop	1. Output cable is too long. 2. Wire diameter is too small. 3. Overload beyond power supply capability. 4. Overload beyond controller capability.	1. Reduce cable or loop supply. 2. Change wider wire. 3. Replace higher power supply. 4. Add power repeater.
No response from the remote	1. The battery has no power. 2. Beyond controllable distance. 3. The controller did not match the remote.	1. Replace battery. 2. Reduce remote distance. 3. Re-match the remote.

Safety information

1. The product shall be installed and serviced by a qualified person.
2. The product is non-waterproof. Please avoid the sun and rain.
3. Good heat dissipation will prolong the working life of the controller. Please ensure good ventilation.
4. Please check if the output voltage of any power supplies used comply with the working voltage of the product.
5. Ensure all wire connections and polarities are correct and secure before applying power to avoid any damages to the LED lights.
6. If a fault occurs please return the product to your supplier. Do not attempt to fix this product by yourself.